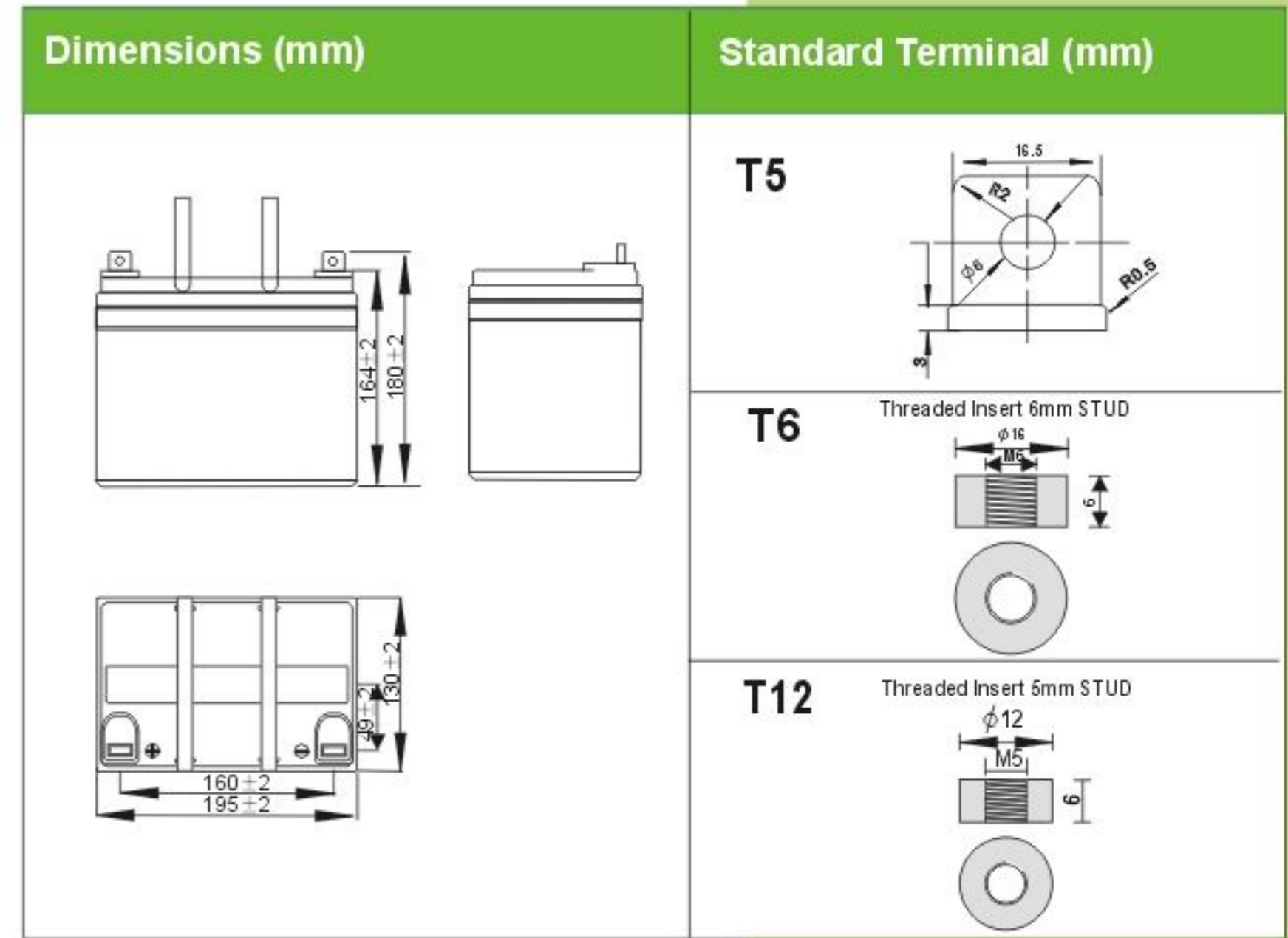
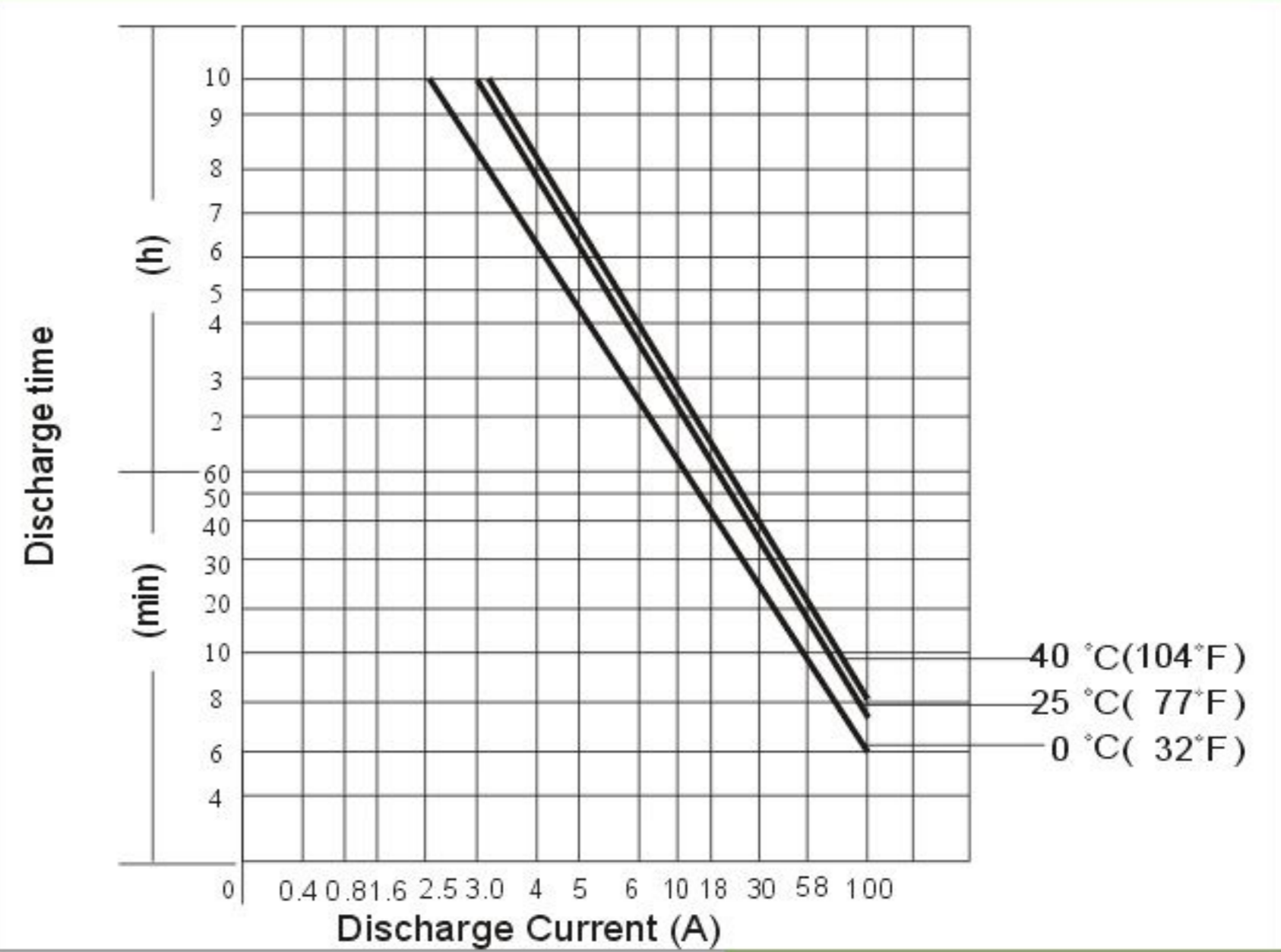




# DJW12-33 (12V33AH)

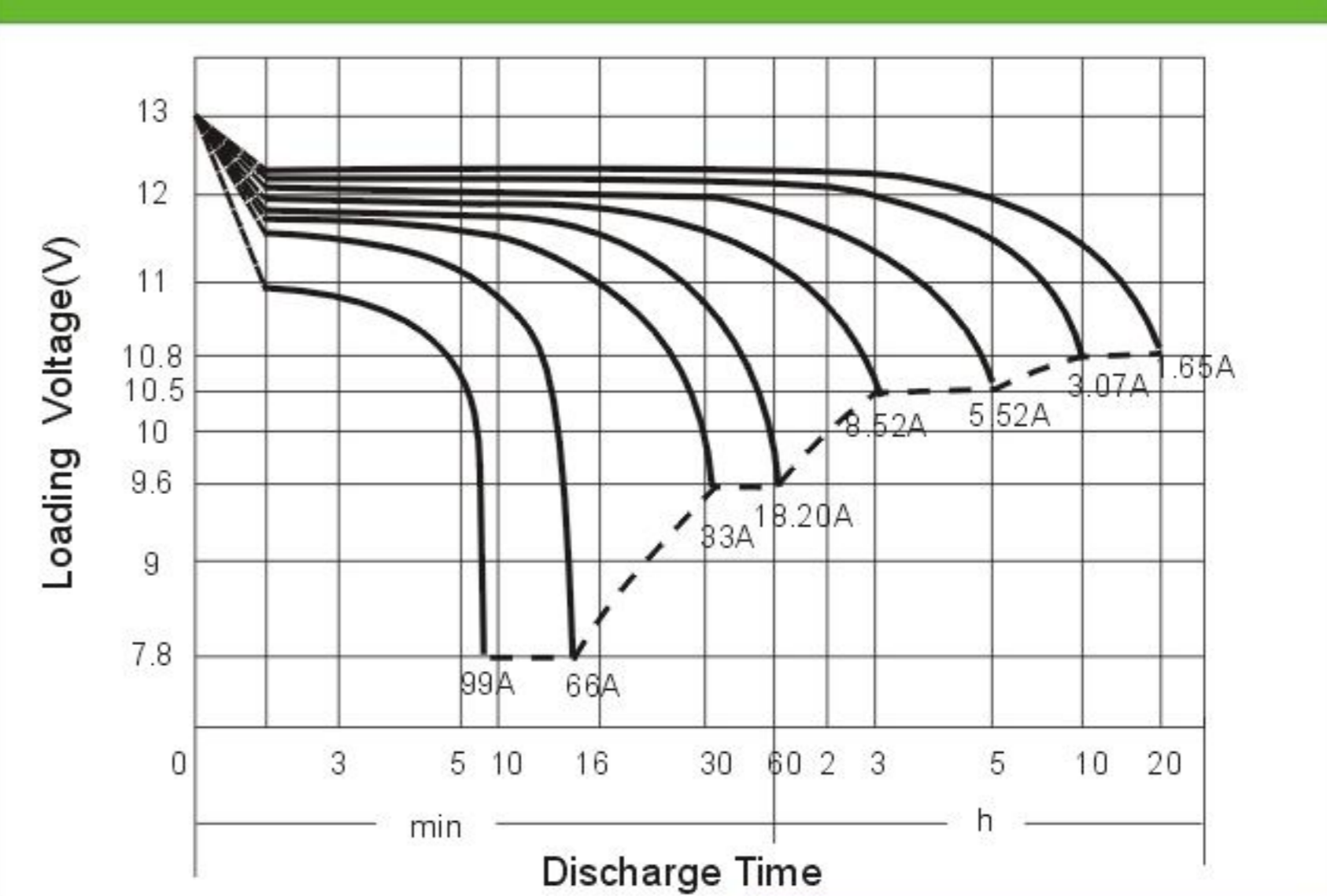


### Discharging Current & Discharge Duration Time



PHYSICAL SPECIFICATION		
Nominal Voltage		12V
Nominal Capacity (20HR)		33AH
Dimension	Length	195±2mm (7.68 inches)
	Width	130±2mm (5.12 inches)
	Container Height	164±2mm (6.46 inches)
	Total Height (with Terminal)	180±2mm (7.09 inches)
Weight		Approx 10.5kg (23.2lbs)
Standard Terminal		T5/T6/T12

### Discharge Characteristics (25°C, 77°F)



ELECTRICAL SPECIFICATION					
Rated Capacity	20 hour rate (1.65 A)	33.0AH	Constant Voltage	Cycle	Initial Charging Current less than 9.9A. Voltage 14.4V~ 15.0V at 25°C (77°F) Temp. Coefficient -30mV/°C
	10 hour rate (3.07 A)	30.7AH			
	5 hour rate (5.52 A)	27.6AH			
	1 hour rate (18.20A)	18.2AH			
Capacity affected by Temperature	40°C (104°F)	103%	Charge	Standby	No limit on Initial Charging Current Voltage 13.5V~13.8V at 25°C(77°F) Temp. Coefficient -20mV/°C
	25°C (77°F)	100%			
	0°C (32°F)	86%			
15minute rate (60.20A)		15.05AH			

Constant Current (Amp) and Constant Power (Watt) Discharge Table (25°C, 77°F)													
Amp/Watt/Cell	Time(minute)	5	10	15	20	30	45	60	120	180	300	600	1200
	Final voltage	1.3	1.3	1.3	1.3	1.6	1.6	1.67	1.7	1.75	1.75	1.75	1.8
A		133.46	85.44	60.20	48.32	34.31	24.71	18.20	11.16	8.52	5.52	3.07	1.65
W		226.13	162.54	117.05	98.21	67.79	49.12	36.13	22.33	16.72	11.05	6.14	3.33