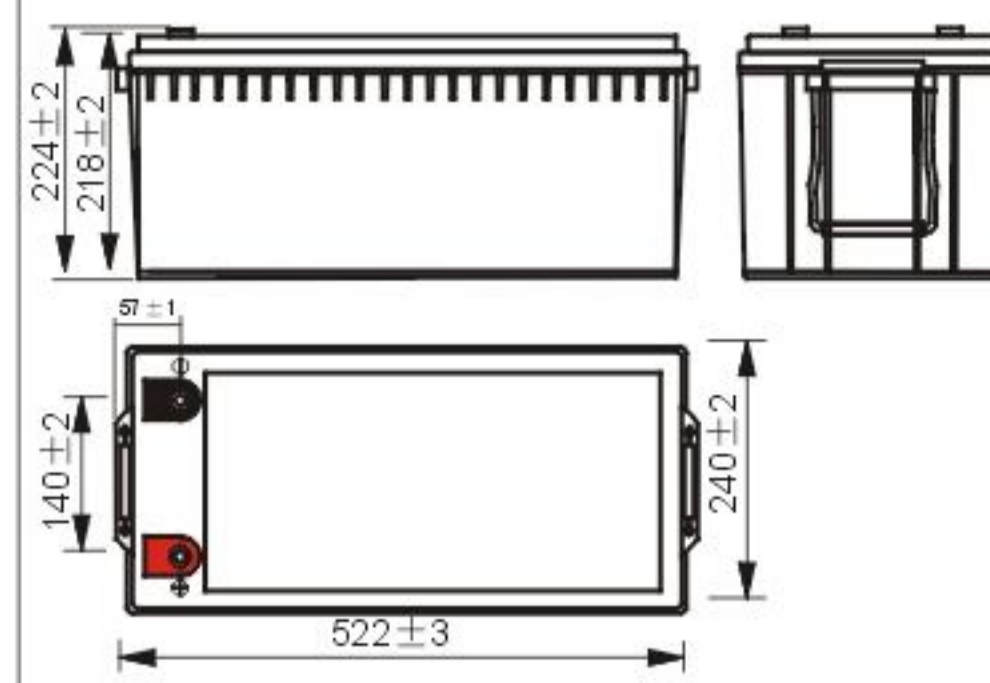




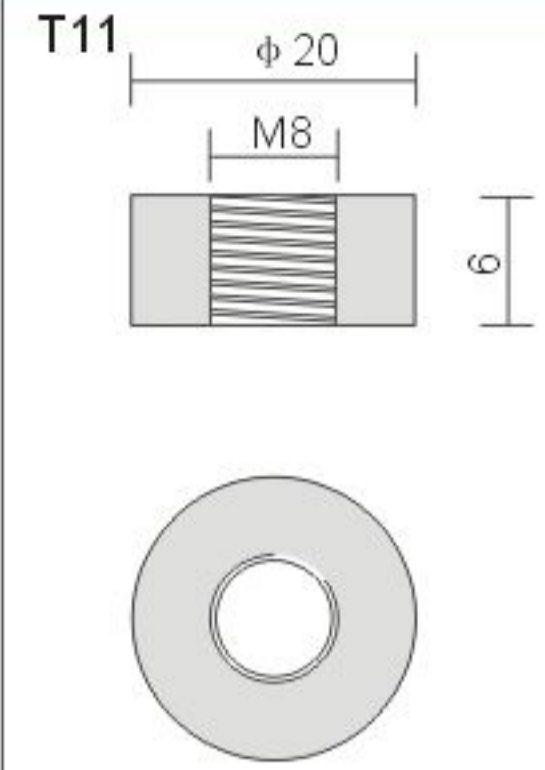
DJM12200(12V200AH)



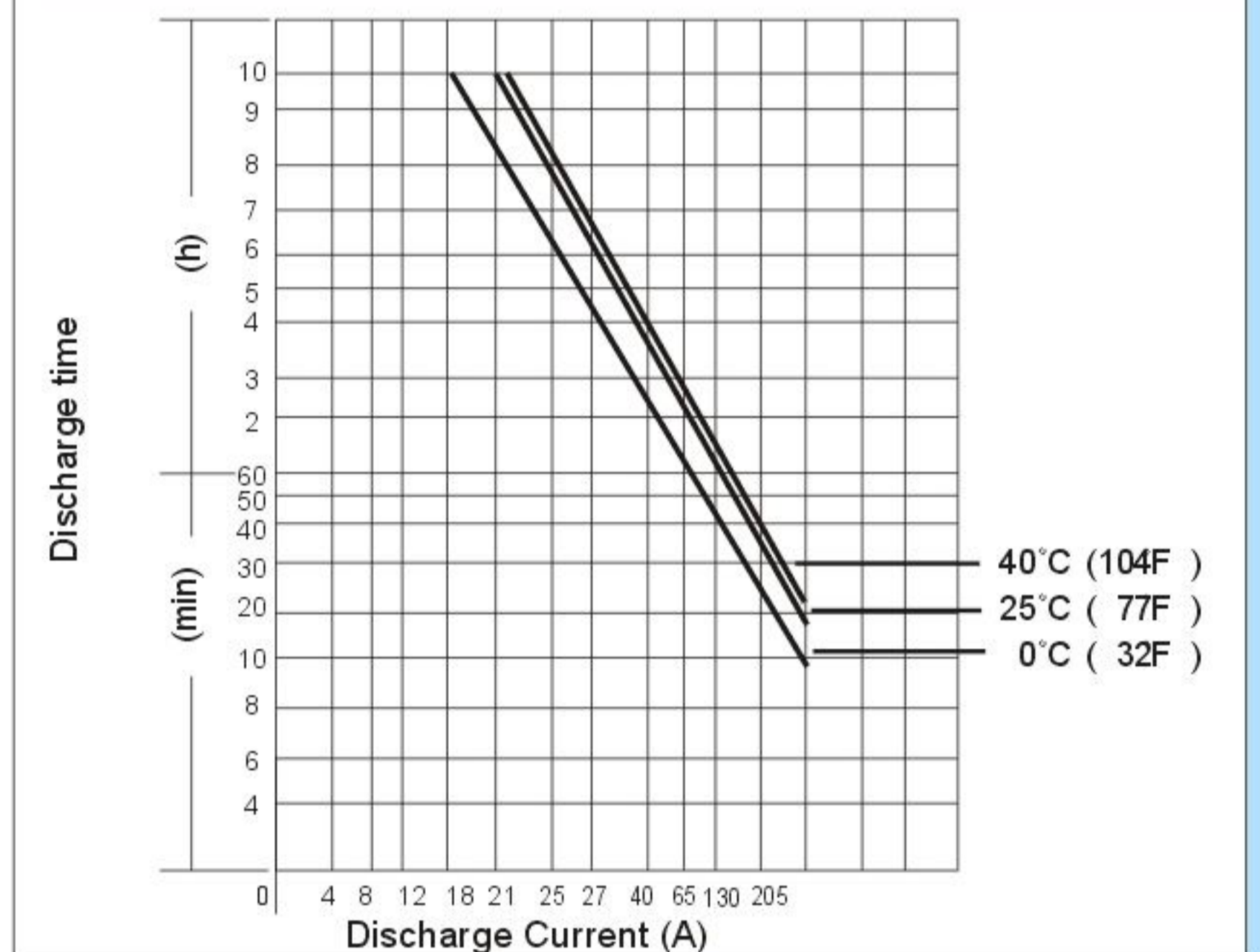
Dimensions (mm)



Standard Terminal (mm)
Threaded Insert 8mm STUD



Discharging Current & Discharge Duration Time



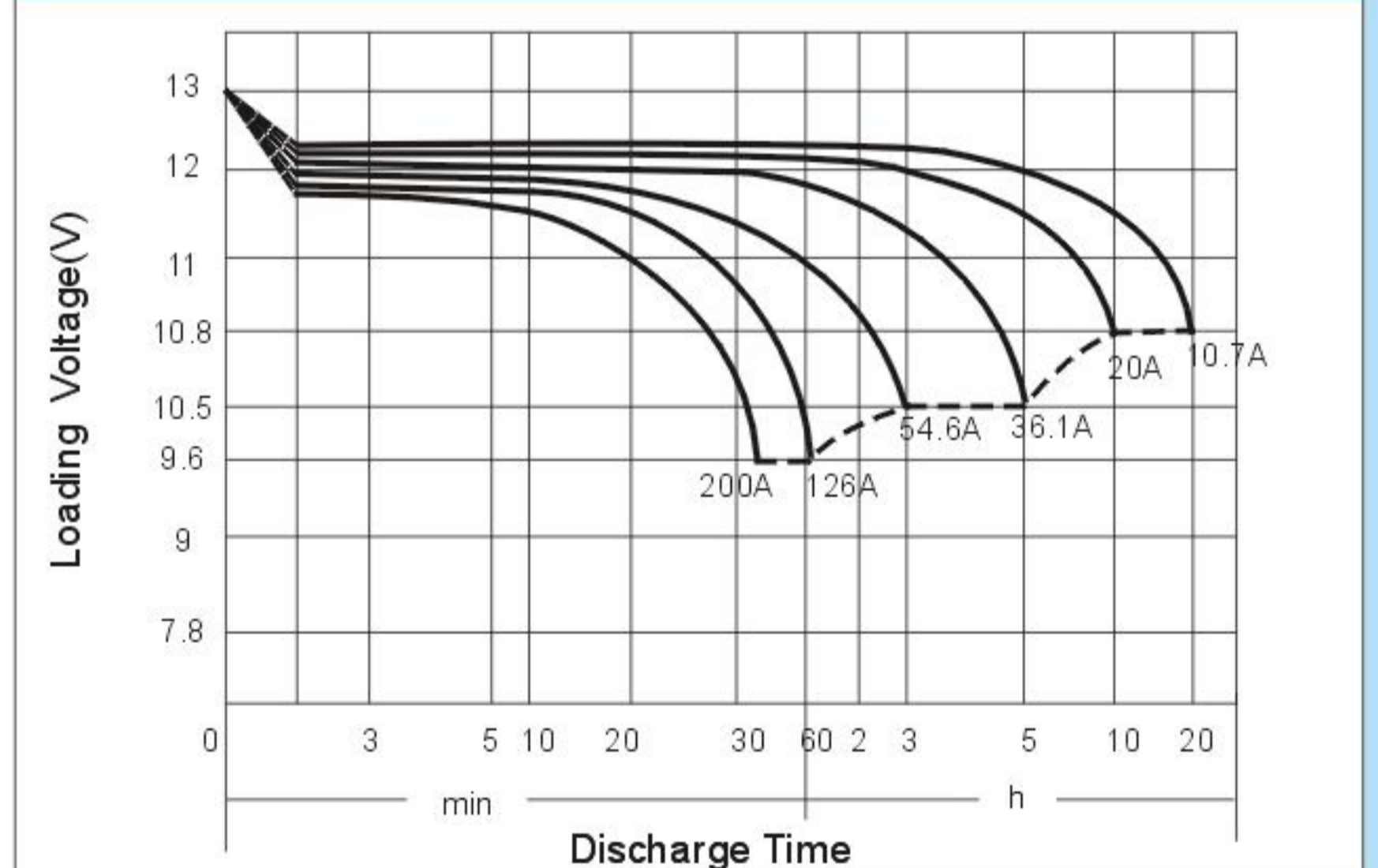
Physical Specification

Nominal Voltage	12V	
Nominal Capacity (10HR)	200AH	
Dimension	Length	522±3mm (20.55 inches)
	Width	240±2mm (9.45 inches)
	Container Height	218±2mm (8.58 inches)
	Total Height (with terminal)	224±2mm (8.81 inches)
Weight	Approx 62.5kg (137.8lbs)	
Standard Terminal	Threaded Insert 8mm STUD	

Electrical Specification

Rated Capacity	20 hour rate (10.7 A)	214.0 AH	Constant-Voltage	Cycle	Initial Charging Current less than 60A. Voltage 14.4V~ 15.0V at 25°C (77°F) Temp. Coefficient -30mV/°C
	10 hour rate (20.0A)	200.0 AH			
	5 hour rate (36.1A)	180.5 AH			
	3 hour rate (54.6A)	163.8 AH			
	1 hour rate (126.0A)	126.0 AH			
Capacity affected by Temperature	40°C (104°F)	103%	Charge	Standby	No limit on Initial Charging Current Voltage 13.5V~13.8V at 25°C(77°F) Temp. Coefficient -20mV/°C
	25°C (77°F)	100%			
	0°C (32°F)	86%			

Discharge Characteristics (25°C, 77°F)



Constant Current (Amp) and Constant Power (Watt) Discharge Table (25°C, 77°F)

Time(minute) Final voltage	20	30	45	60	120	180	240	300	360	480	600	1200
Amp/Watt/Cell	1.3	1.6	1.6	1.67	1.7	1.75	1.75	1.75	1.75	1.8	1.8	1.8
A	315.0	241.5	168.0	126.0	73.5	54.6	42.0	36.1	31.9	24.0	20.0	10.7
W	617.4	455.7	333.9	249.5	146.2	108.8	83.8	72.0	63.8	47.8	40.0	21.4